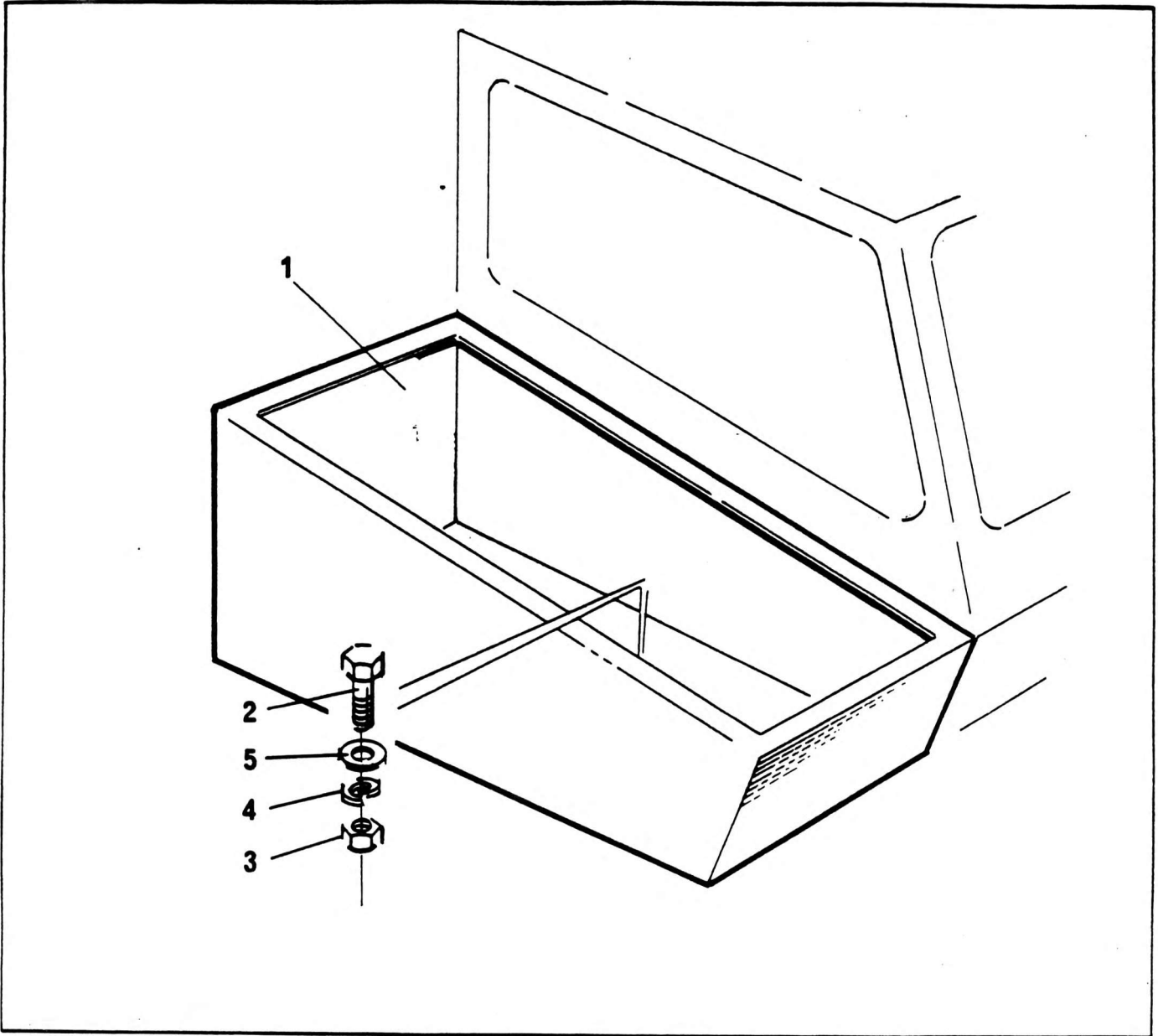


TOOL LOCKER INSTAL.



NO.	PART NO.	QTY.	DESCRIPTION	NO.	PART NO.	QTY.	DESCRIPTION
1	6-966-990218	1	Tool Locker Assy				
2	7091002	9	Bolt Hex Head M8 x 30 Long				
3	7069201	9	Nut Hex M8				
4	7067215	9	Washer Spring M8				
5	7066537	9	Washer Plain M8				